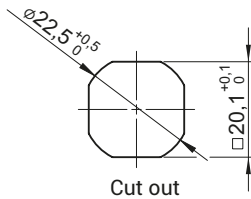
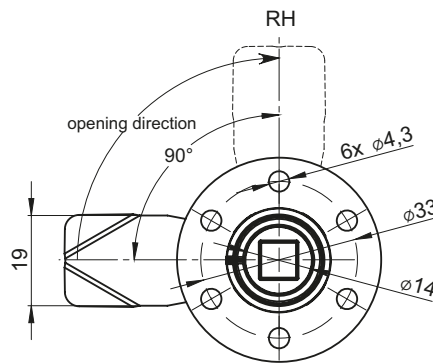
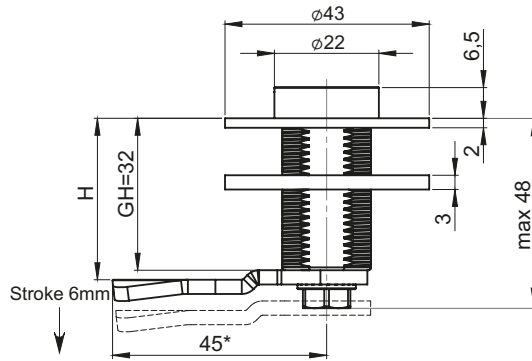
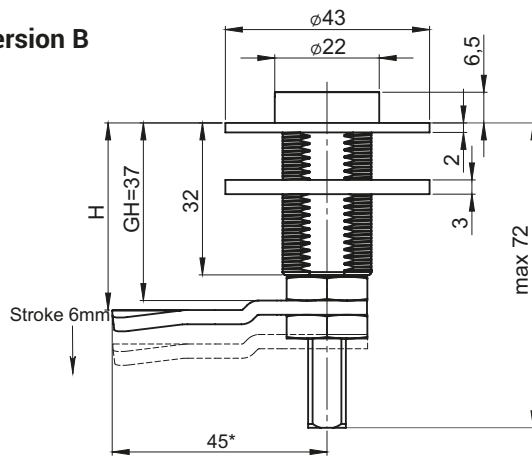


Version A

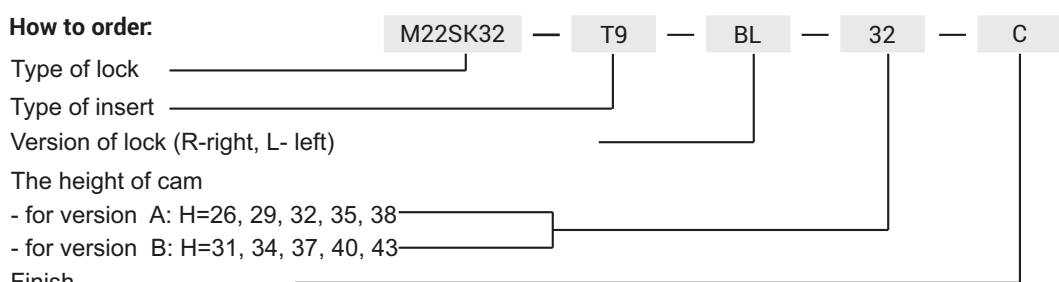


Version B



| Inserts | | | | | Finish [C] | |
|--------------|----|----|------------------|------|-------------------|----------|
| | | | | | Chrome | RAL 9005 |
| D3 | D5 | T9 | KW 7 | KW 8 | 01 | 04 |
| TYPE OF LOCK | | | COMPONENTS | | MATERIAL | |
| M22SK32 | | | Housing, Insert | | ZAMAK5 | |
| | | | Cam, Washer, Nut | | Zinc plated steel | |

How to order:



* Possibility to order in a different dimension