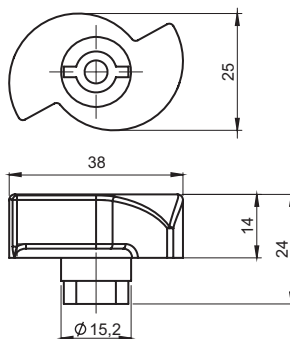


Customized logo on the key available.

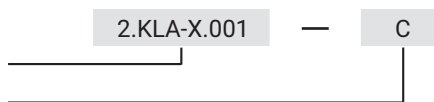
CATALOGUE NUMBER	MATERIAL	TYPE OF KEY [X]			FINISH [C]	
2.KLB-X.001	Polyamide				RAL 9005	RAL 7035
		D5	T9	KW 8	07	08



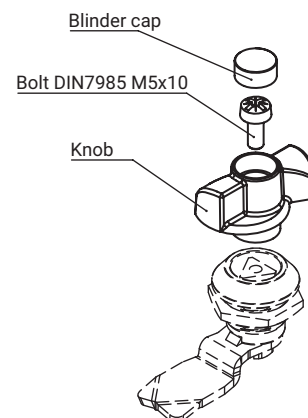
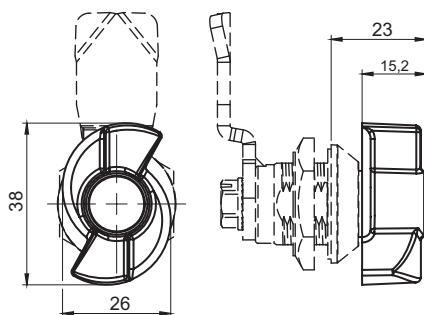
CATALOGUE NUMBER	MATERIAL	TYPE OF KEY [X]				FINISH [C]	
2.KLA-X.001	Polyamide					RAL 9005	RAL 7035
		D5	T9	KW 8	C9	07	08

How to order:

Catalogue number, type o key [X]
Finish



Wing knob for T13 insert



Wing knob for T13 pin, M22-2 and M22-DU locks (pages 2A-9 and 2A-11)

CATALOGUE NUMBER	COMPONENTS	MATERIAL	Finish [C]
			RAL 9005
2.KLD-T13.001	T-handle, Blinder cap	Polyamide	07
	Bolt M5x10	Steel zinc plated	-

How to order:

Catalogue no.
Finish

