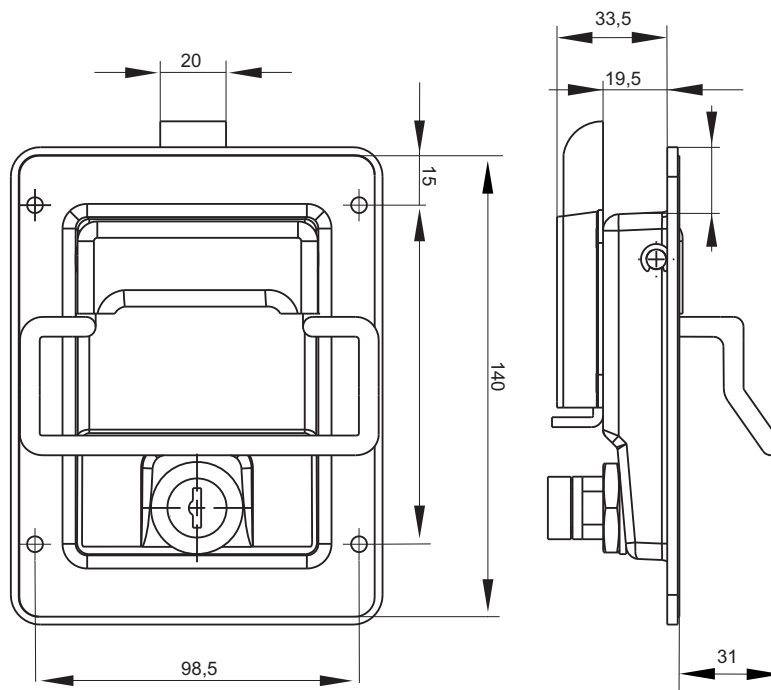
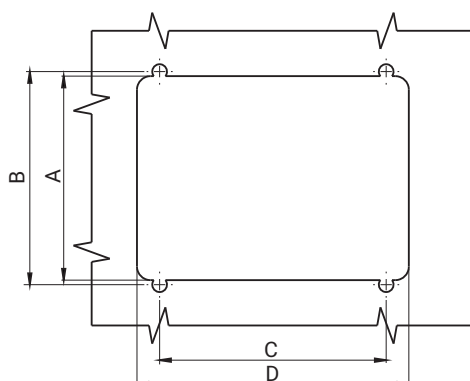


TYPE OF LOCK	COMPONENTS	MATERIAL	FINISH [C]
2.510.002	Housing	Stell zinc plated	RAL 9005
	Gasket	Elastomer	04



TYPE OF LOCK	COMPONENTS	MATERIAL	FINISH [C]
2.510.005	Housing	Stainless steel	RAL 9005
	Gasket	Elastomer	04



Cut out

NR	Dimension [mm]			
	A	B	C	D
2.510.002	90	95	98	120
2.510.005	80	98,5	103	113,5