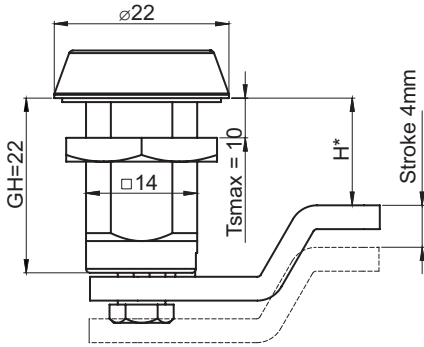
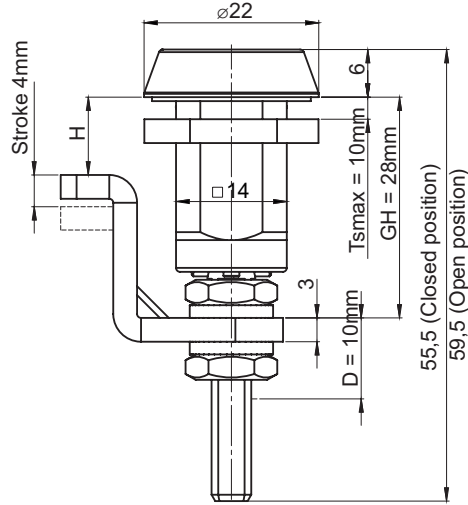


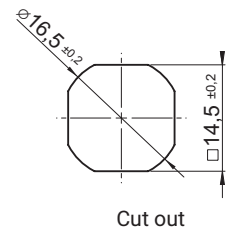
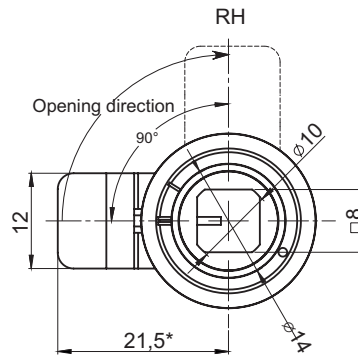
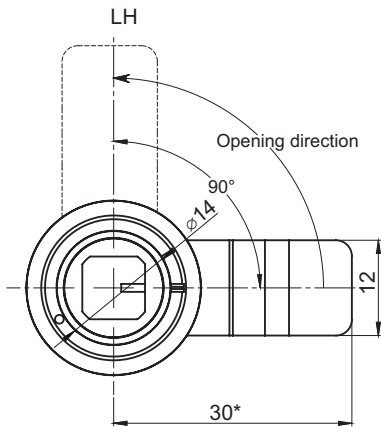
Version A



Version B



stainless steel	IP65	LH/RH
-----------------	------	-------

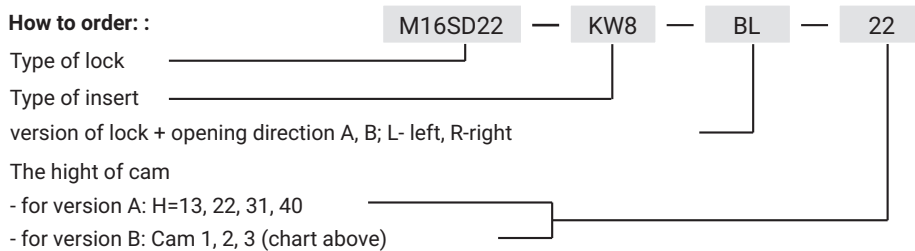


Height adjustment H cam for lock in version B		
Cam	H	
1 Bended 18mm	10 - 20	
	46 - 56	
2 Bended 9mm	19 - 29	
	37 - 47	
3 Straight	28 - 38	

The lock has IP65.
The lock has double pressure.
The lock is fitted with the key 2.KLKW8.001 (str. 2A-112 - 2A-113).

D - the range of latch adjustment M16SD22 type B.
Ts - the thickness of sheet steel.
In lock M16SD22 type B bended can be fitted double sided.

TYPE OF LOCK	ELEMENTY SKŁADOWE	MATERIAL
M16SD22	Housing, Insert, Cam	Stainless steel



Inserts	
T9	KW 8