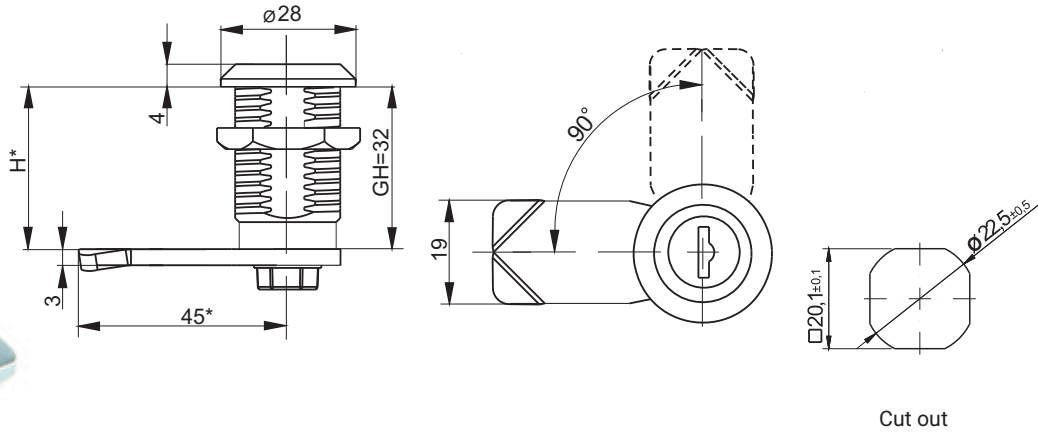


Key code						Finish [C]	
1333	405E	455E	1242E	2432E	RK	RAL 9005	RAL 7035
						07	08
TYPE OF LOCK		COMPONENTS		MATERIAL			
M22DW22		Housing		Polyamide			
		Cam		Steel zinc plated			



Key code						Finish [C]			
1333	405E	455E	1242E	2432E	RK	Chrome	Nickel	RAL 9005	RAL 7035
						01	02	04	05
TYPE OF LOCK		COMPONENTS		MATERIAL					
M22W32		Housing		ZAMAK5					
		Cam		Steel zinc plated					



\* possibility to make in another dimension  
 H.G - the cam unbending dimension (H-locking height, G-group)  
 The lock is fitted with cams from the group: 15, 16, 17, 19, 21, 35, 36, JZ-001, JK-10018  
 (page 1C-9 - 1C-22)