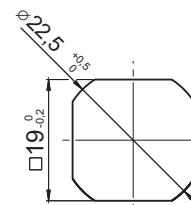
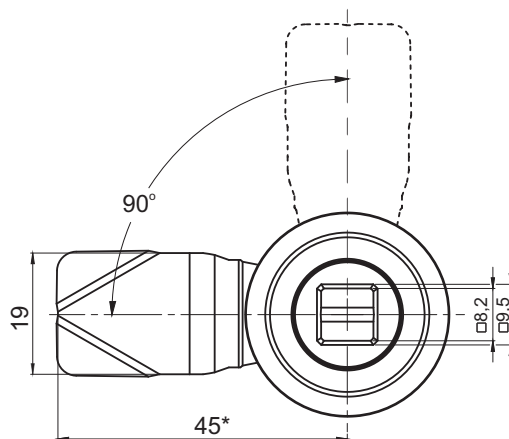
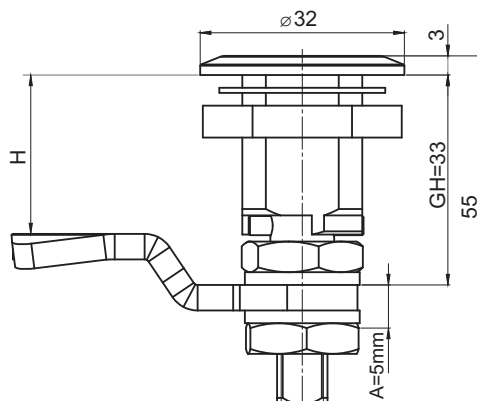


stainless steel IP65



Cut out

A - the height of the latch adjustment H

TYPE OF LOCK	COMPONENTS	MATERIAL
M22JR-SN	Housing, Insert, Cam	Stainless steel

How to order :

Type of lock

Type of insert

The high of cam H=27, 31, 33, 35, 39

M22JRSN

KW8/9,5

27

\* possibility to order in a different dimension