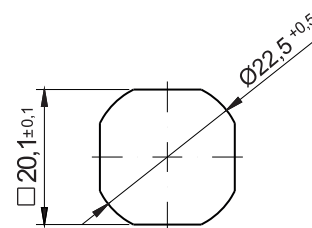
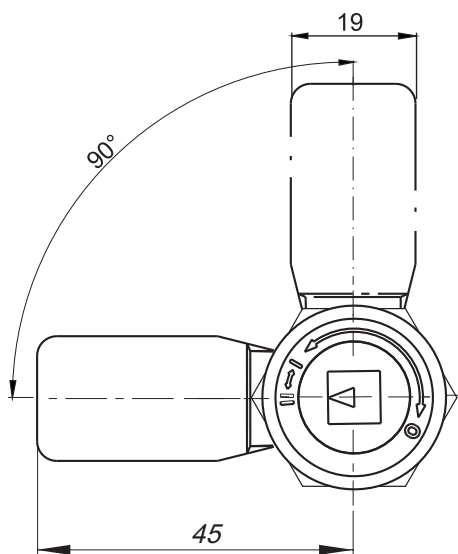
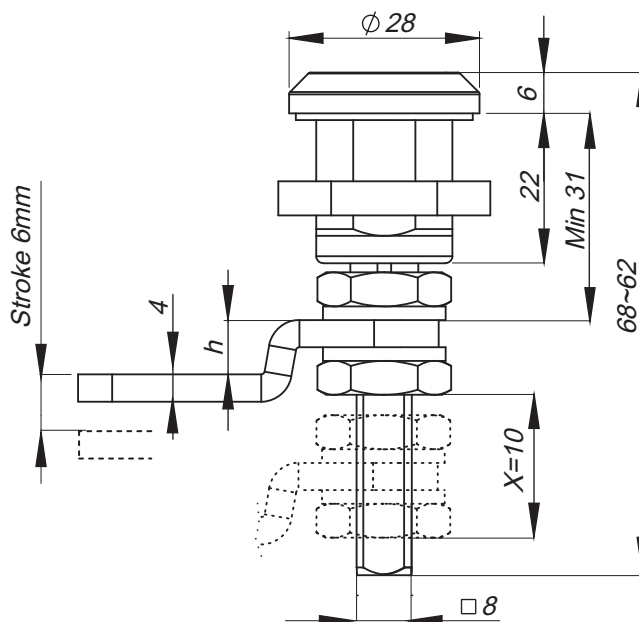


stainless steel

IP65



Mounting hole

Lock has IP65
The lock has two sided clamp.
The x value means the range of adjusting the bar.

Inserts	
T9	KW 8

TYPE OF LOCK	COMPONENTS	MATERIAL
M22SD22	Housing, insert	Stainless steel 304
	Cam	Stainless steel 304

How to order:

