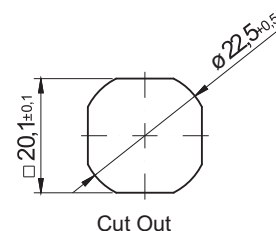
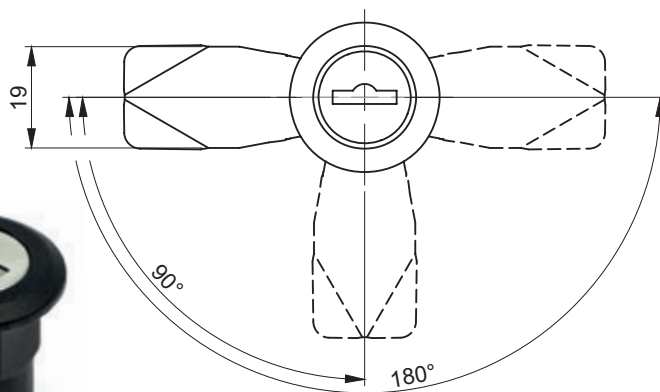
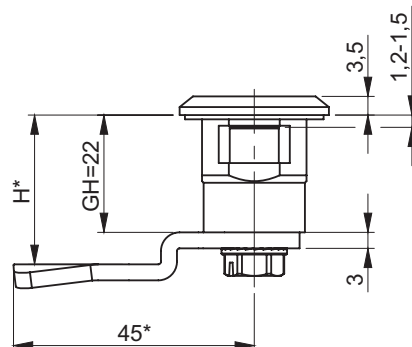
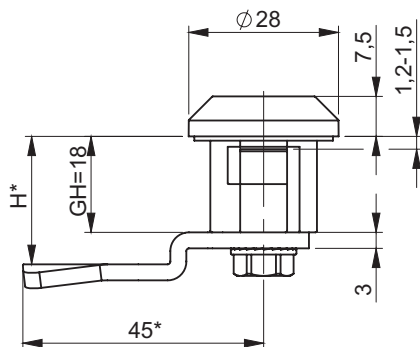


M22ZW

M22ZW22



M22ZW



M22ZW22

Key code						Finish [C]	
1333	405E	455E	1242E	2432E	RK	RAL 9005	RAL 7035
						07	08
TYPE OF LOCK			COMPONENTS			MATERIAL	
M22ZW			Housing			Poyamide	
M22ZW22			Cam			Steel zinc plated	



* possibility to make in another dimension
H.G - the cam unbending dimension (H-locking height, G-group)

The lock is fitted with cams from the group: 15, 16, 17, 19, 21, JZ-001, JK-10018 (page 1C-9 - 1C-22)