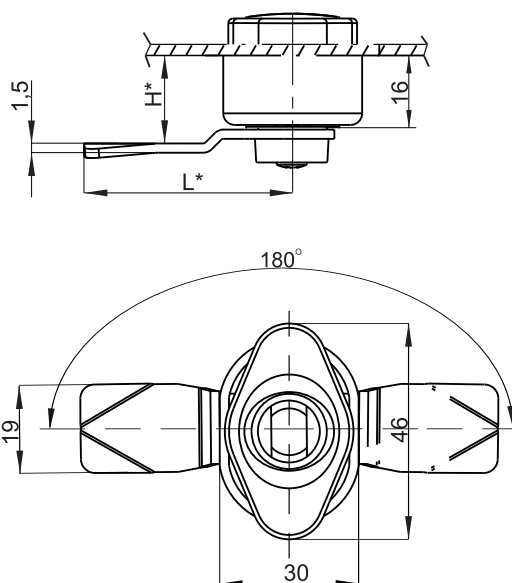
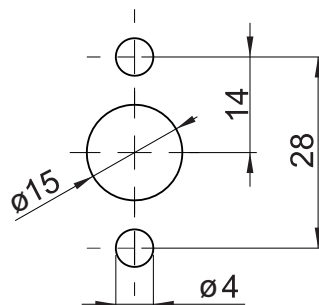




LOCK ZG



LOCK ZG AX



Cut Out

Table no. 1

CAM CODE	H*	L*	INSERT [X]	
			001	16
002	16	45		
003	19	30	GZ	N
004	19	45		

TYPE OF LOCK	COMPONENTS	MATERIAL	FINISH [C]	
			RAL 9005	RAL 7035
	Housing, insert	Polyamide	07	08
	Blokade	Steel zinc plated	-	-
		Stainless steel	-	-

How to order :

- Type of lock
- Type of insert [X]
- Cam code
- Finish [C]

