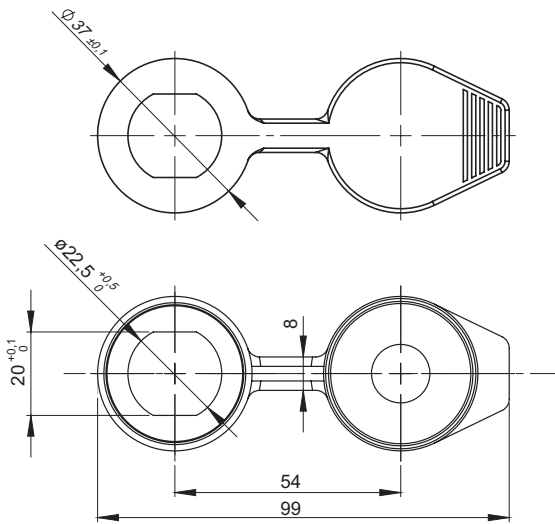
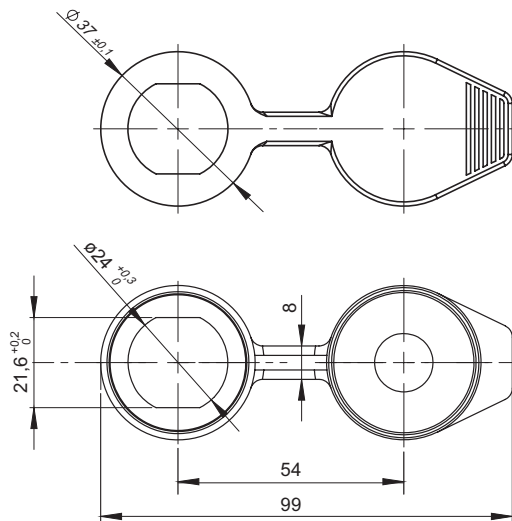




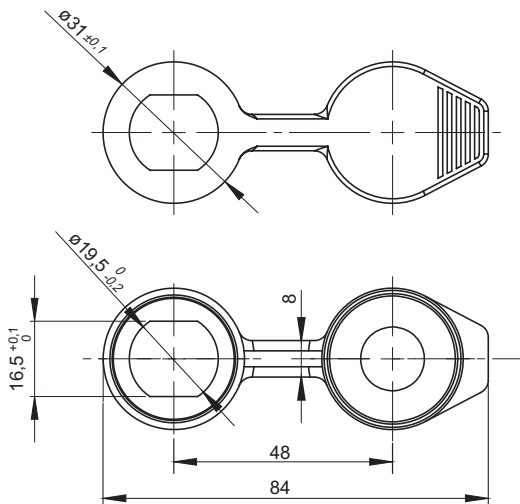
Cover 2.904.005



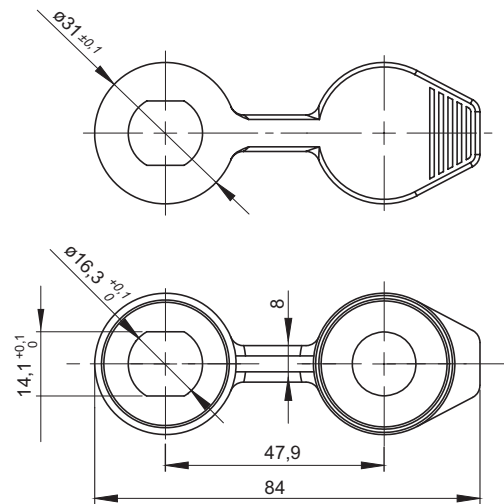
Cover 2.904.006



Cover 2.904.007



Cover 2.904.008



**Attention:**  
In case of adjusting the handle the H dimension reduces of 2mm

CATALOGUE NUMBER	TYPE OF LOCK	MATERIAL	FINISH [C]
2.904.005	M22	TPE	RAL9005
2.904.006	M24		07
2.904.007	M19W		
2.904.008	M16		

\* colour 7035 available on special request