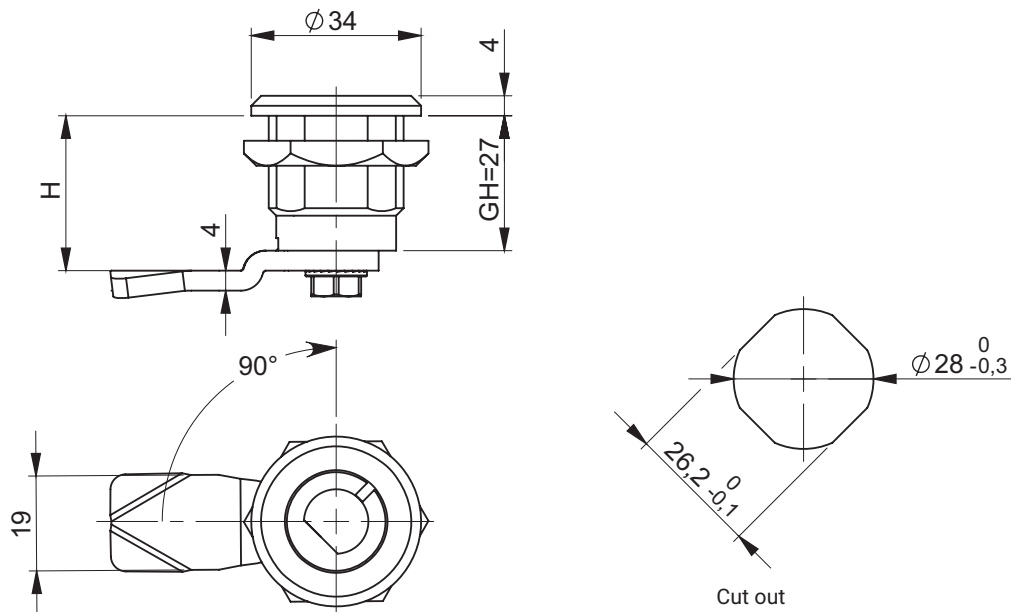


LH/RH



Insert



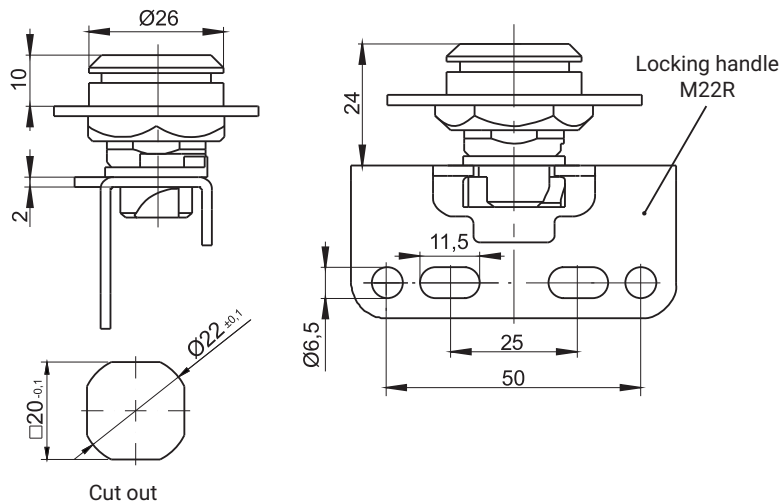
D13

Note:

1. The key can be inserted and pull out only in the closed position
2. Adapted to lock the key KL-D13 (page 2A-115)

TYPE OF LOCK	COMPONENTS	MATERIAL
CZ-E1	Housing, insert	Brass zinc plated
	Cam	Steel zinc plated

LH/RH



Insert

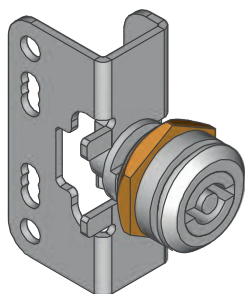


D5

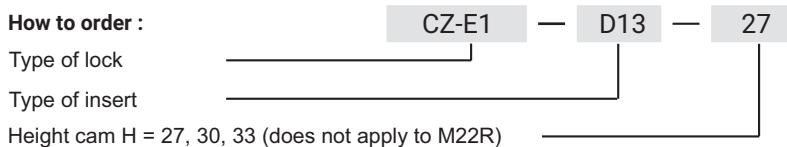
T9

KW 8

TYPE OF LOCK	COMPONENTS	MATERIAL
M22R	Housing, insert	Steel zinc plated
	Cam	ZAMAK5



How to order :



* possibility to make in another dimension

Notice: Handle for M22R is not a part of a set.

To order separately:

- galvanized steel M22R: M22R.001.01

- stainless steel: M22R.001.02